



WITTENSTEIN

## LPBK+ - The space sensation

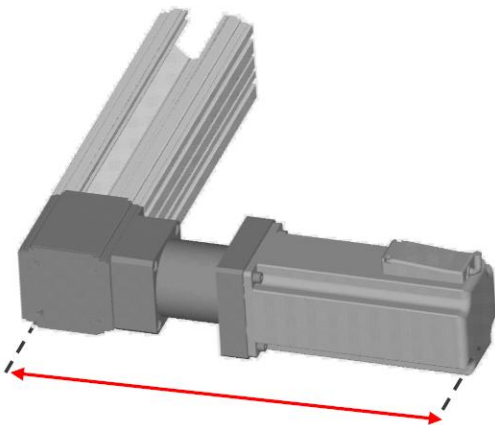


WITTENSTEIN Ltd have a new addition to their extensive product range. The new LPBK+ is a combination of the LK+ with the LPB+ on the output. This gearbox combination creates extreme space saving solutions especially for the linear market.

The LPBK+ is available in:

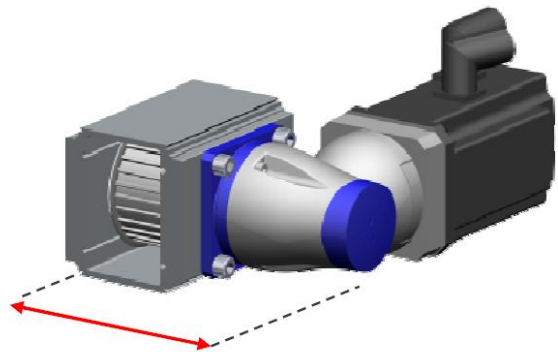
sizes: 070, 090, 120  
ratios: 3,4,5,7,10  
T2B: 220 Nm  
n1max: 4.500 U/min

### Conventional drive technology for linear applications



Length > 4500 mm

### Ultra-compact LPBK+ belt drive



Length < 2500 mm

**→ More than 40% space saved**

For further information about our company or our product range please contact us:

Tel: 0870 844 0120

Fax: 0870 844 0140

Web: [www.wittenstein.co.uk](http://www.wittenstein.co.uk) Email: [sales.uk@wittenstein.co.uk](mailto:sales.uk@wittenstein.co.uk)